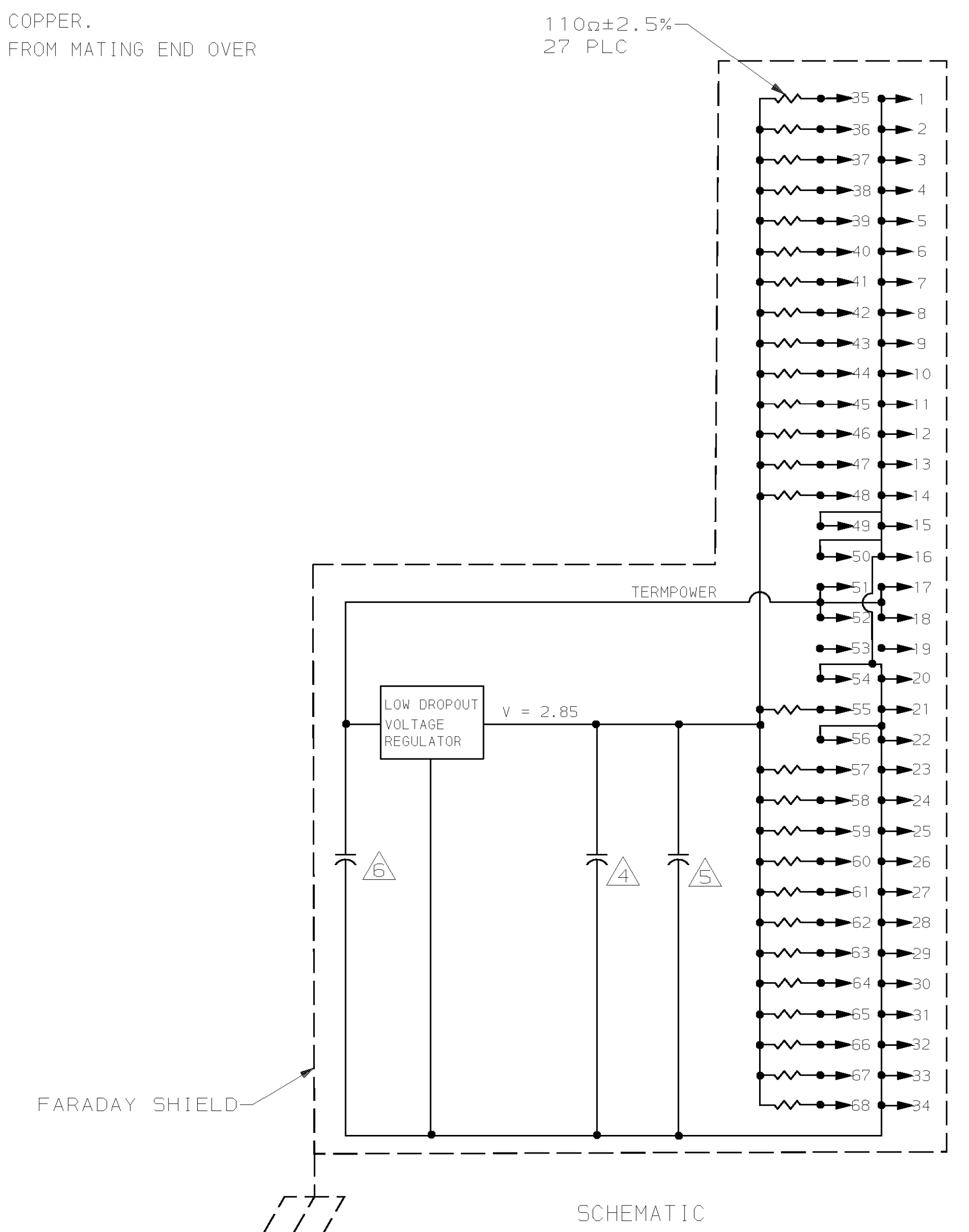
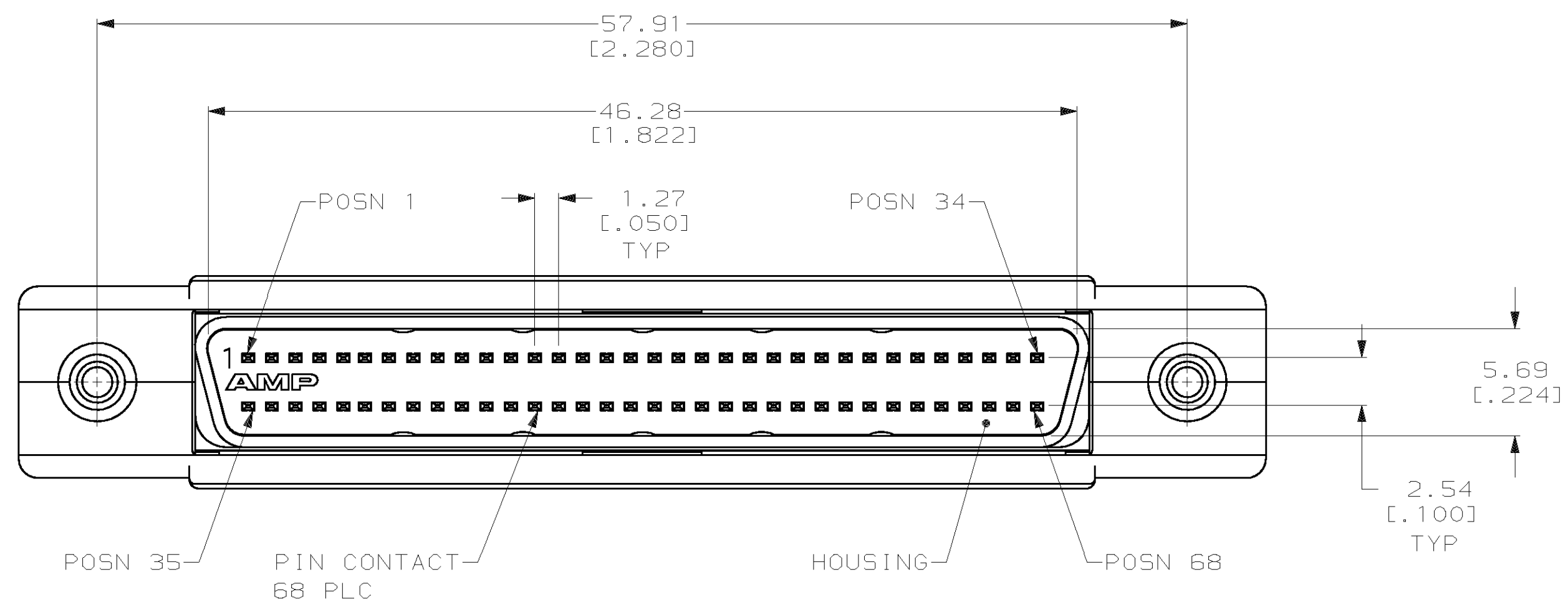
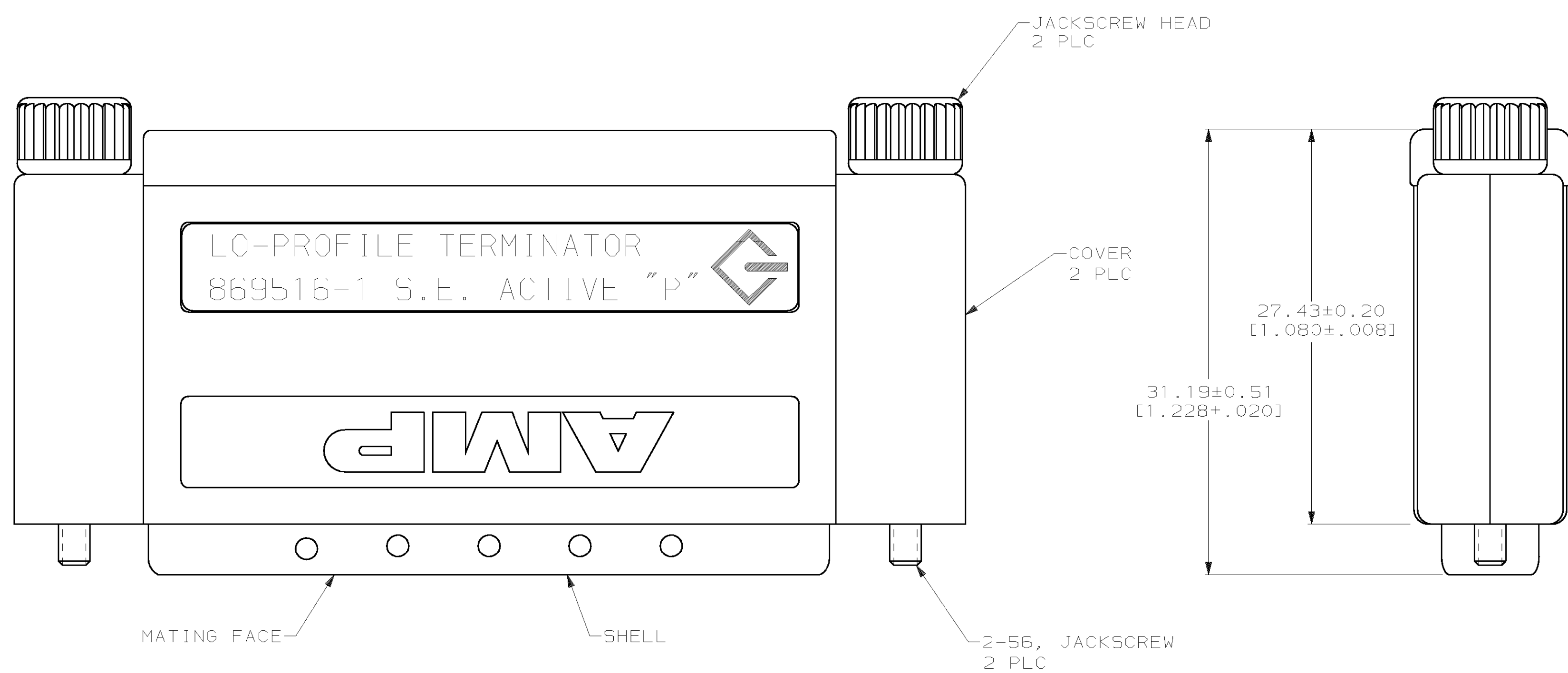
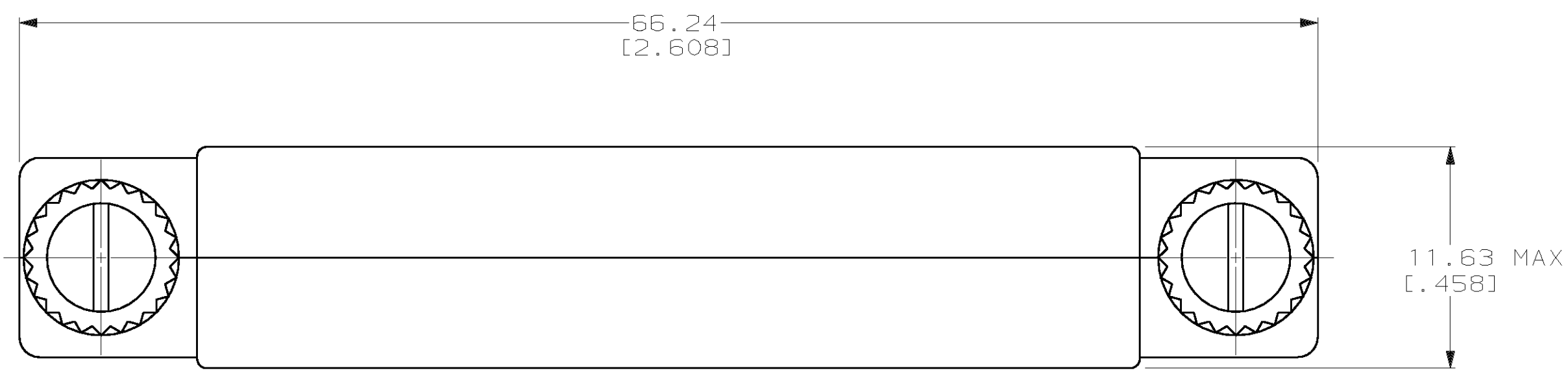


LOC	DIST	P	F	ZONE	LTR	DESCRIPTION	DATE	APPD
GP	00							
					F	REV PER EC 0020-600-93	06/03/93	PR
					G	REV PER EC 0020-1462-93	01/28/94	MLP
					H	REV PER EC 0640-166-99	24 JUN 99	JK
					J	REV PER EC 051A-0168-00	28 JUN 00	MG

- 1 SHELL; CARBON STEEL; PIN CONTACT: PHOSPHOR BRONZE; HOUSING: POLYESTER, BLACK; RESISTOR: THICK FILM RESISTOR COMPOSITION ON ALUMINA SUBSTRATE. JACKSCREW: STAINLESS STEEL; SHIELD: COPPER; COVER: ABS, GREY, UL 94V-0; JACKSCREW HEAD: PVC, BEIGE.
- 2 5.08µm[.000200] MIN TIN-NICKEL OVER 1.27µm[.000050] MIN COPPER.
- 3 0.76µm[.000030] MIN GOLD FOR A LENGTH OF 3.35[.132] MIN FROM MATING END OVER 1.27µm[.000050] MIN NICKEL.
- 4 22µF TANTALUM CAPACITOR ±20%, 10V MIN.
- 5 0.1µF CERAMIC CAPACITOR ±20%, 25V MIN.
- 6 4.7µF TANTALUM CAPACITOR ±20%, 15V MIN.



DO NOT SCALE PRINT. UNLESS SPECIFIED DIMENSIONS IN mm [INCHES] TOLERANCES ON: 2 PLC DEC ± 0.25[.010] 3 PLC DEC ± - ANGLES ± -		DR 9-21-91 J McCLINTON		869516-1 PART NO	
MATERIAL		CHK 9-30-91 R. STONE		AMP Incorporated Harrisburg, PA 17105-3508	
FINISH SHELL: 2 CONTACTS: 3		APPD 10-2-91 P. RUELIUS		NAME	
APPLICATION SPEC		APPD 10-3-91 J. FULPONI		PLUG ASSEMBLY, 68 POSITION, LOW PROFILE, .050 SERIES AMPLIMITE™ TERMINATOR	
SIZE D	CAGE CODE 00779	DRAWING NO	869516		
SCALE 4:1	SHEET		1 OF 1		